



SMALL LED/LCD

Hantarex International Limited
 34 Salisbury Street
 London, NW8 8QE
 Tel: 0044 (0) 208 778 1414
 e-Mail: sales@hantarex.com

DSM8WGF

8" Active Matrix Glass Fronted / Metal Case

DSM8WGF

Panel Type	8" (4:3) LED Monitor With Glass Front
Case Type	Metal
Maximum Resolution	800 (H) x 600 (V)
Active Display Area	162.0 x 121.5 (V) m m
Pixel Pitch	0.675 (H) x 0.2025 (V) mm
Bezel Thickness	22mm
Contrast Ratio	500 : 1 Ratio
Brightness	250 cd/ m ²
Response Time	10ms - 15ms
Viewing Angle	U/D: 50° / 70°, L/R: 70° / 70°
Display Colours	16.7 M
Video Synchronization	Yes
PC Compatible Frequency	30-80KHz(H) / 50-75Hz(V) Max. 800 x 600
Adjustable Colour Temperature	9300K / 6500K / 5800K / User
Video Compatibility	Multi-Standard for NTSC / PAL
Aspect Ratio	4 : 3 Ratio
VGA Auto Frequency correction	Yes
Number of Speakers	No
Sound Demodulation	N/A
Mute	N/A
Work Humidity	20 % - 70 %
Work Temperature	-10 to 50 °C
Volume +/- Power On/Off	Power ON/OFF Only



POWER

Power Supply	12VDC, 1 amp
Voltage	AC100 - 240V 50 / 60Hz
Power Consumption	< 12W in "ON"

IN/OUT INTERFACE

Video Interface	VGA In BNC In x 2
Audio Interface	None
Power Interface	AC In x 1
Termination	75 Ohms (Automatic termination)
Safety & EMC Certification	ROHS-2, CE, FCC, C-Tick, E13, WEEE
Vesa Standard Mount	75 x 75 mm
Stand Type	Multi Functional Desktop/Wall mount
Colour	Black
Packing Dimension	283 (W) x 295 (H) x 105 (D) mm
NET Weight	1.4 Kgs
GROSS Weight	2.0 Kgs

OSD CONTROLS

Contrast, Brightness, Language, Colour, Rotation up/down & L/R, Input Source (VGA,AV1AV2), Reset

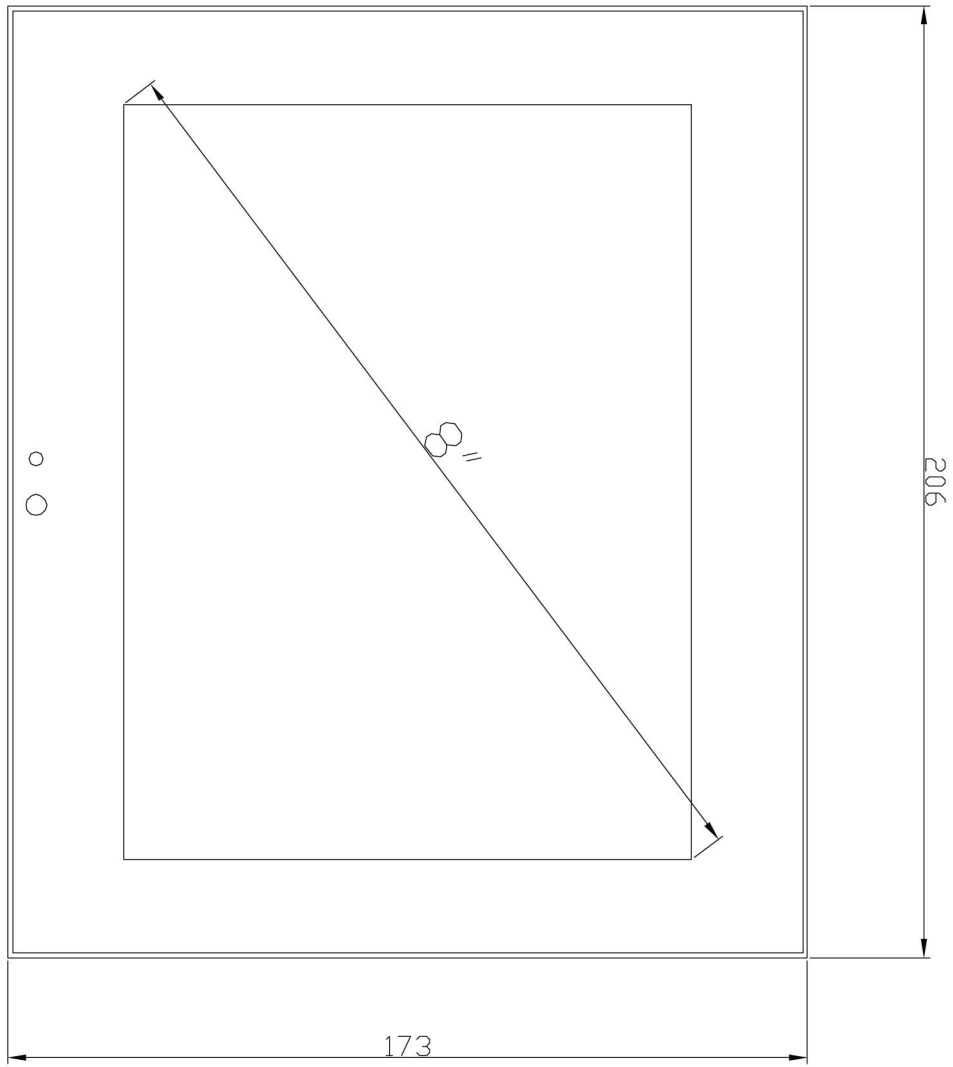
OSD LANGUAGE

English, French, German, Spanish, Italian, Russian, Polish and Portuguese

ACCESSORIES

Power Supply, Remote Control, Multi Functional Bracket Desktop/Wall Mount, User Manual.

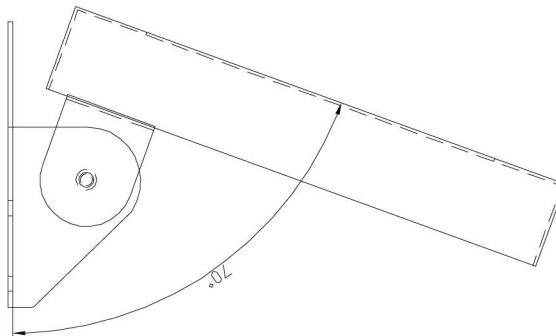
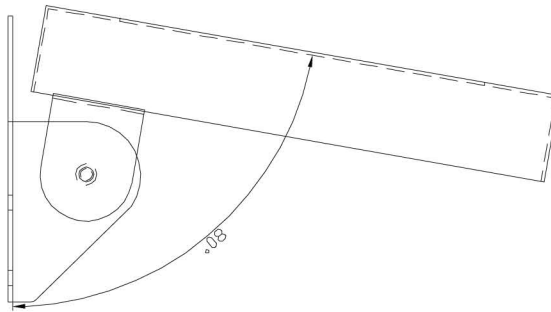
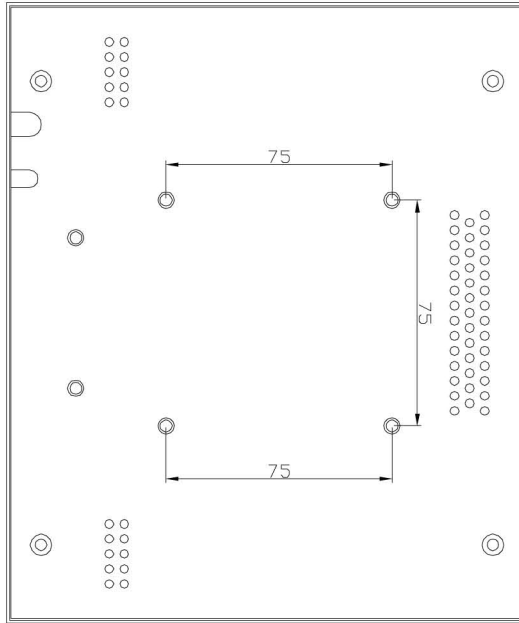
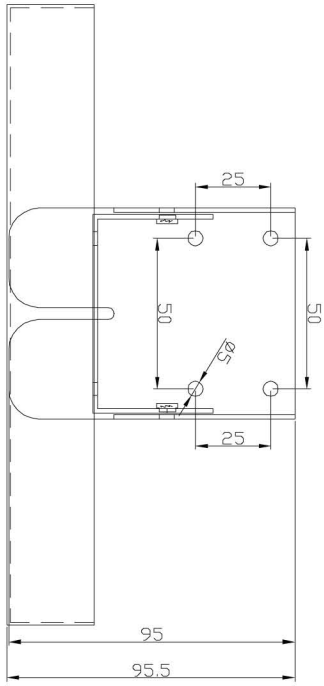
Hantarex International Limited
34 Salisbury Street
London, NW8 8QE
Tel: 0044 (0) 208 778 1414
e-Mail: sales@hantarex.com



6
55
34
3
2
1
1

6
5
4
3
2
1

Hantarex International Limited
34 Salisbury Street
London, NW8 8QE
Tel: 0044 (0) 208 778 1414
e-Mail: sales@hantarex.com



6 55 94 3 2 1 1

6 6 5 4 3 2 1

A B C D A B C D